

335 XPT



1.1997

Spare parts

Ersatzteile

Pièces détachées

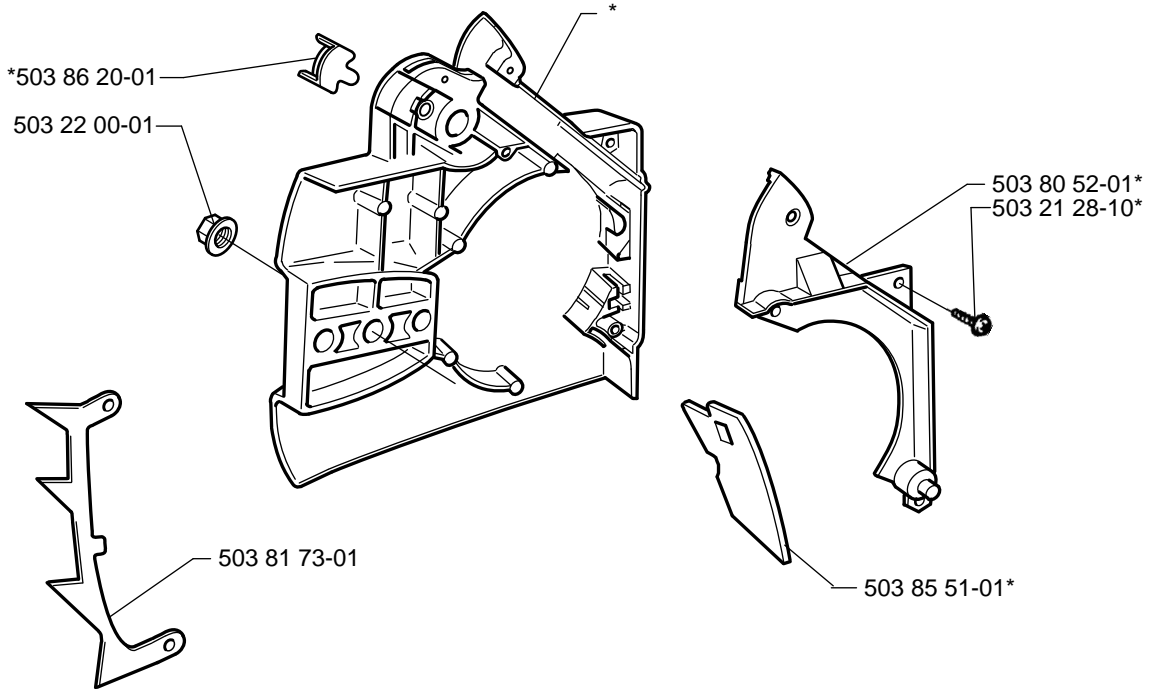
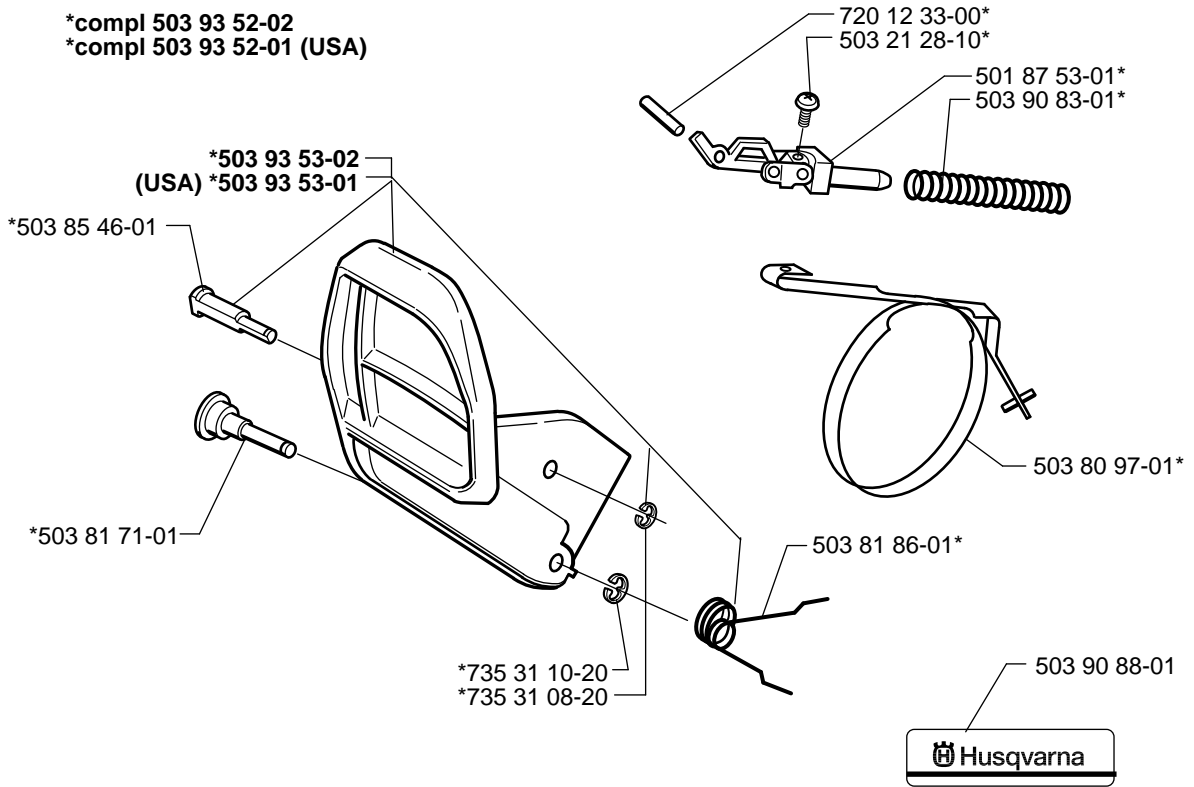
Reserve onderdelen

Repuestos

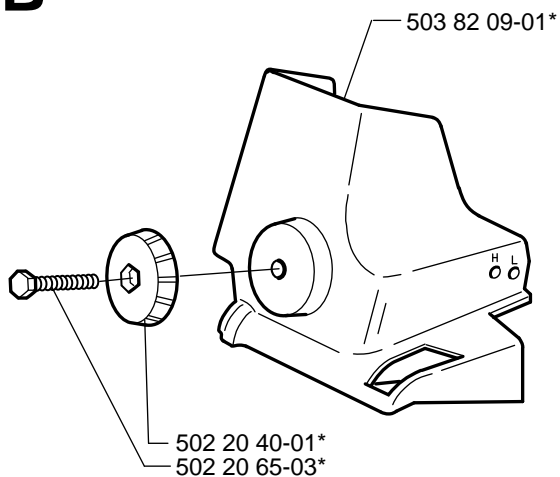
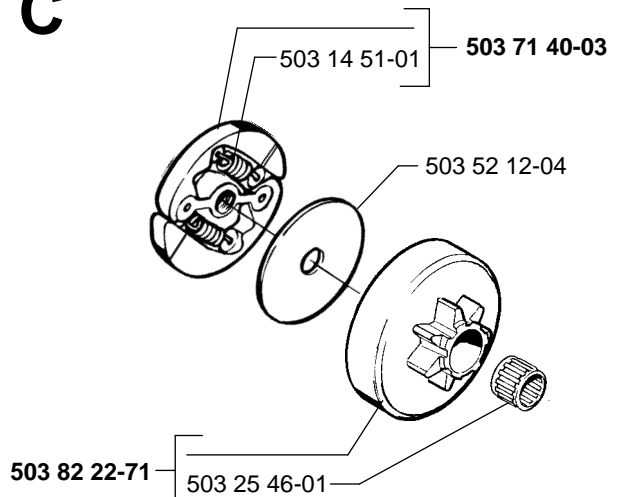
Reservdelar

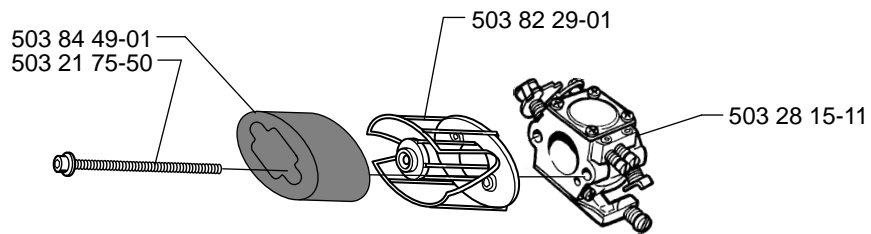
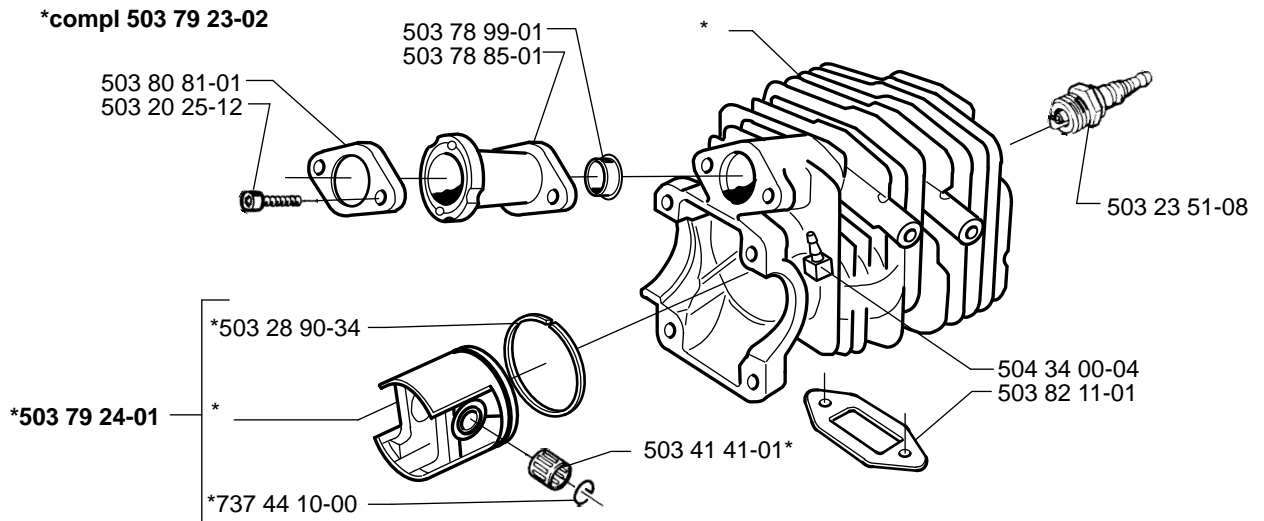
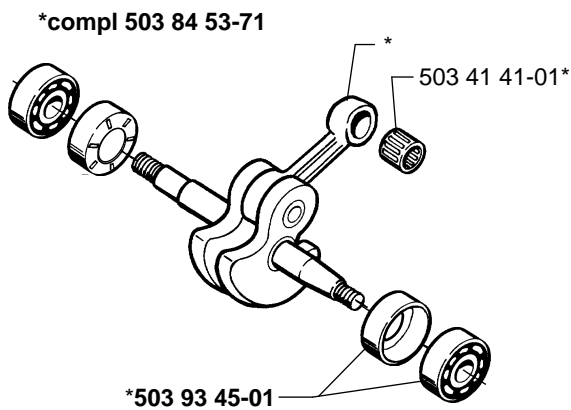
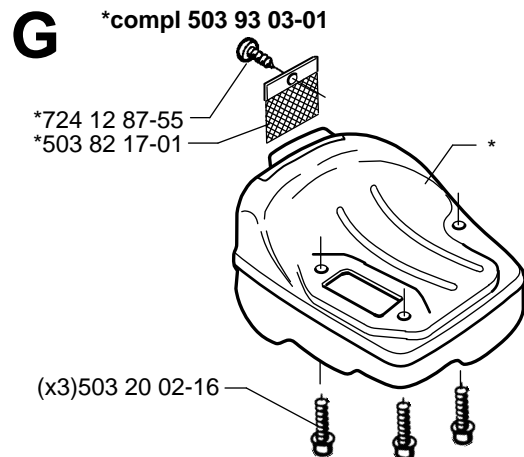
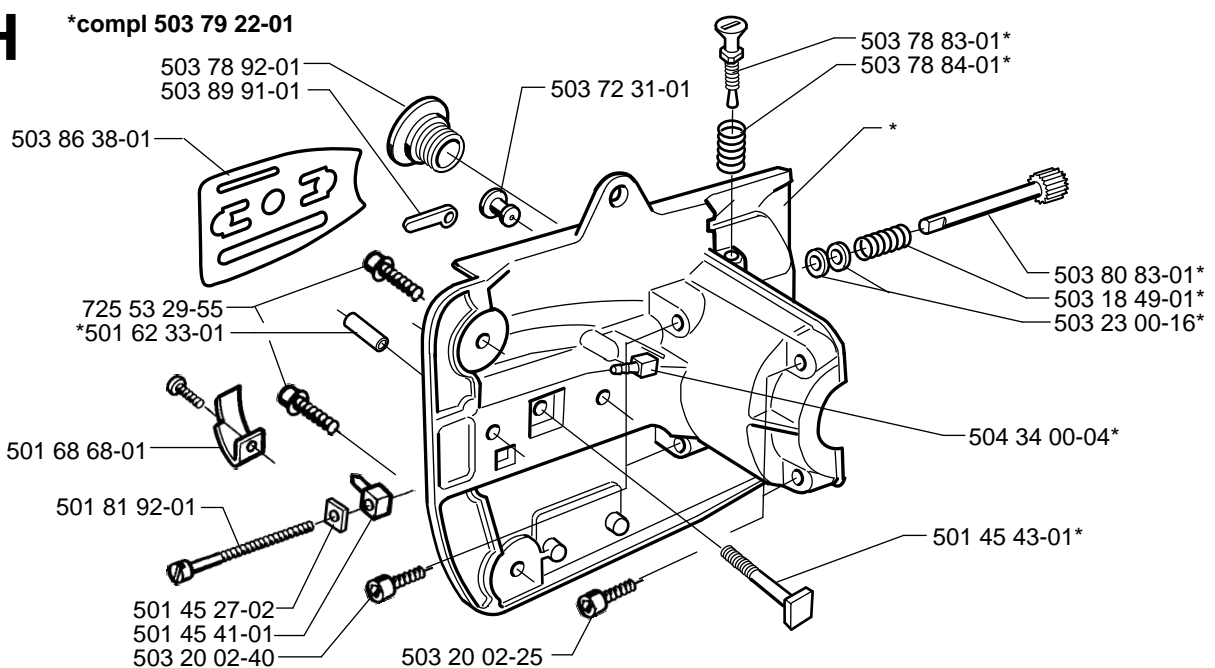
A

*compl 503 93 52-02
 *compl 503 93 52-01 (USA)

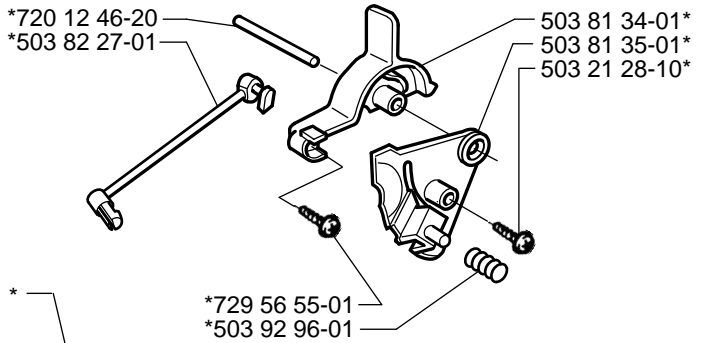
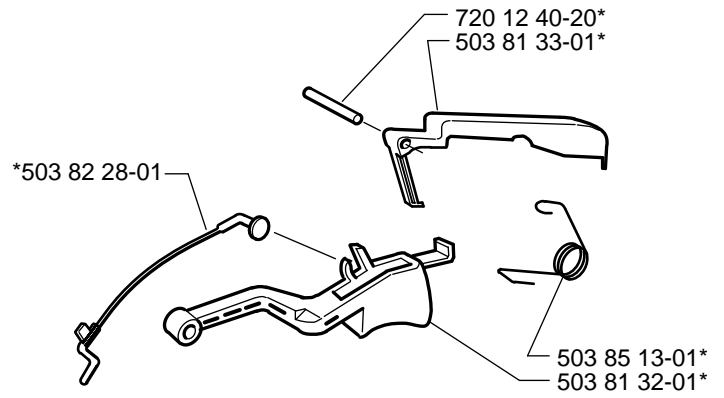
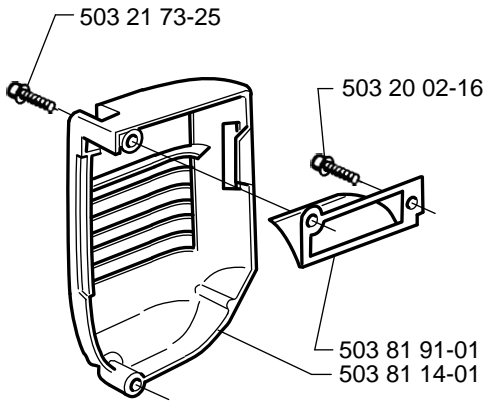
**B**

*compl 503 79 26-01

**C**

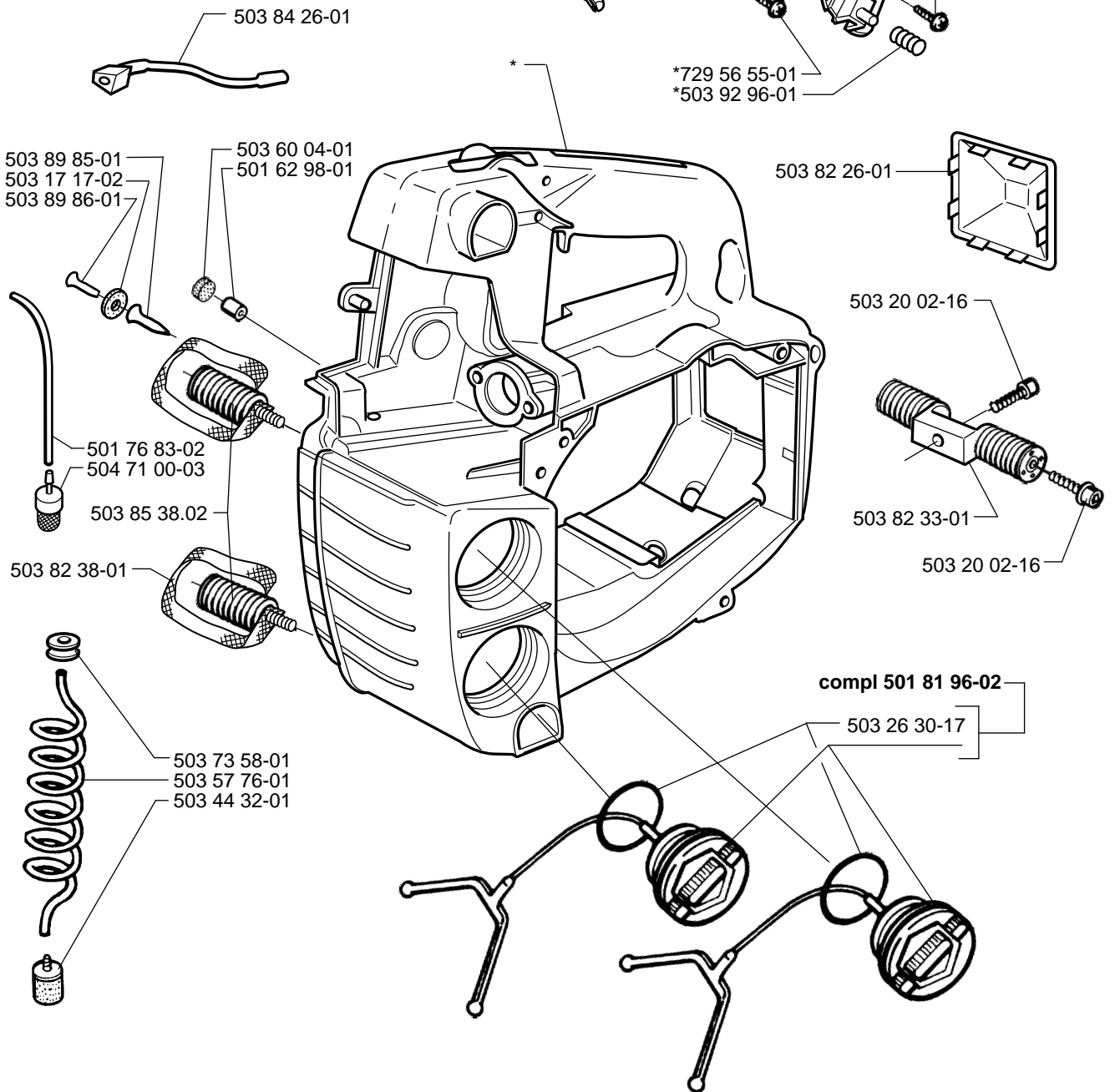
D**E****F****G****H**

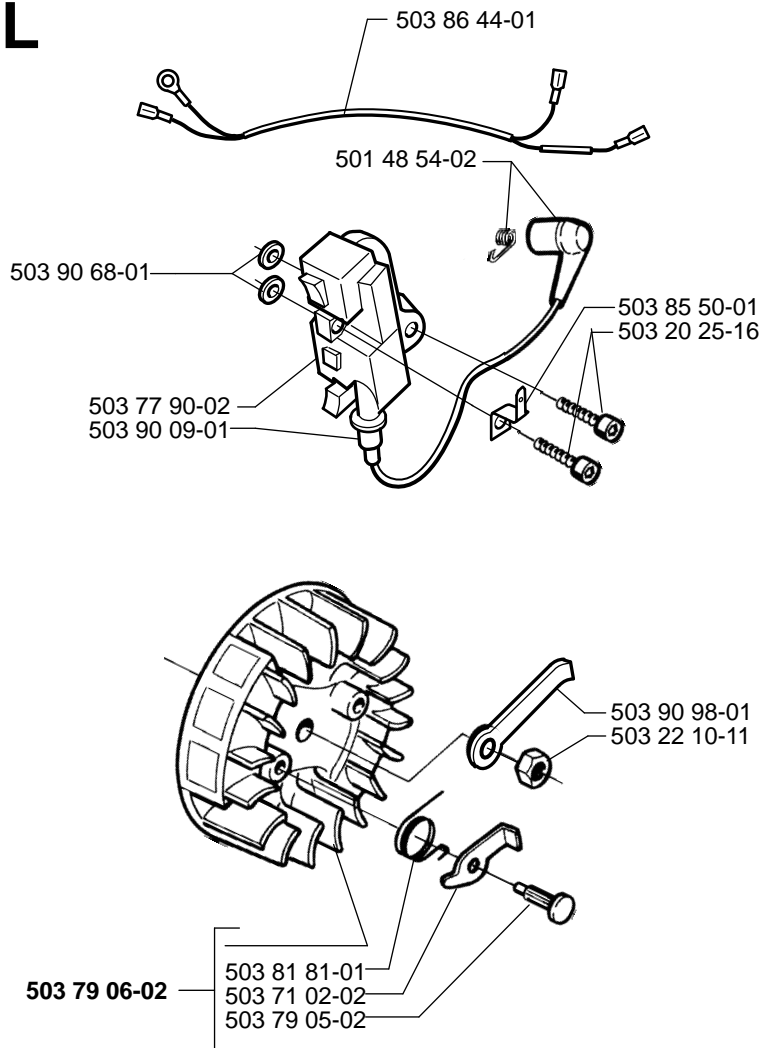
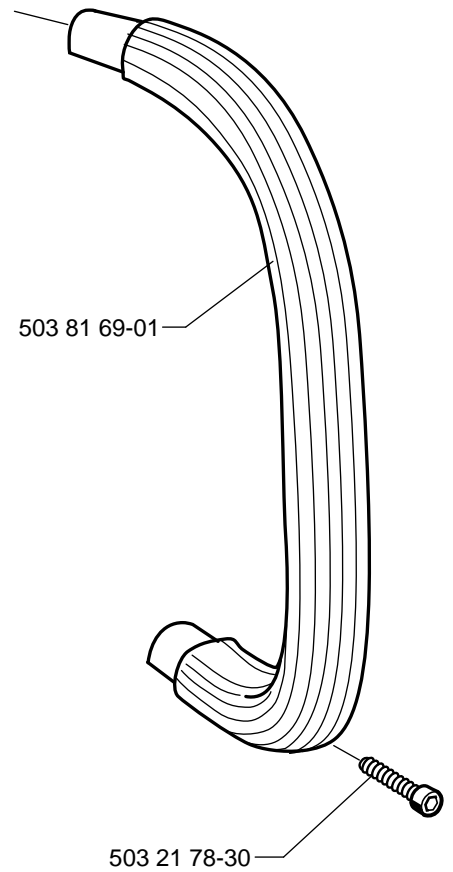
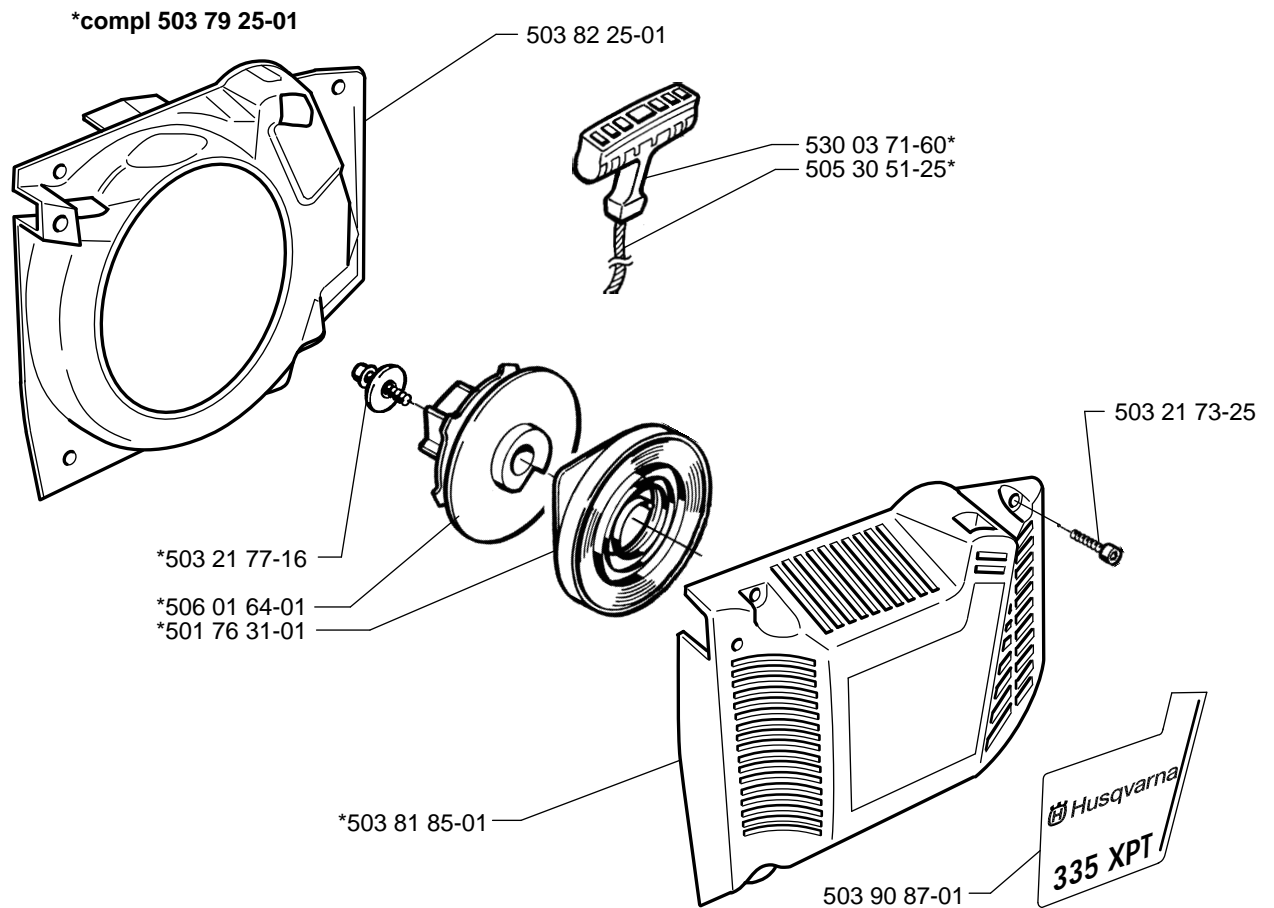
J



K

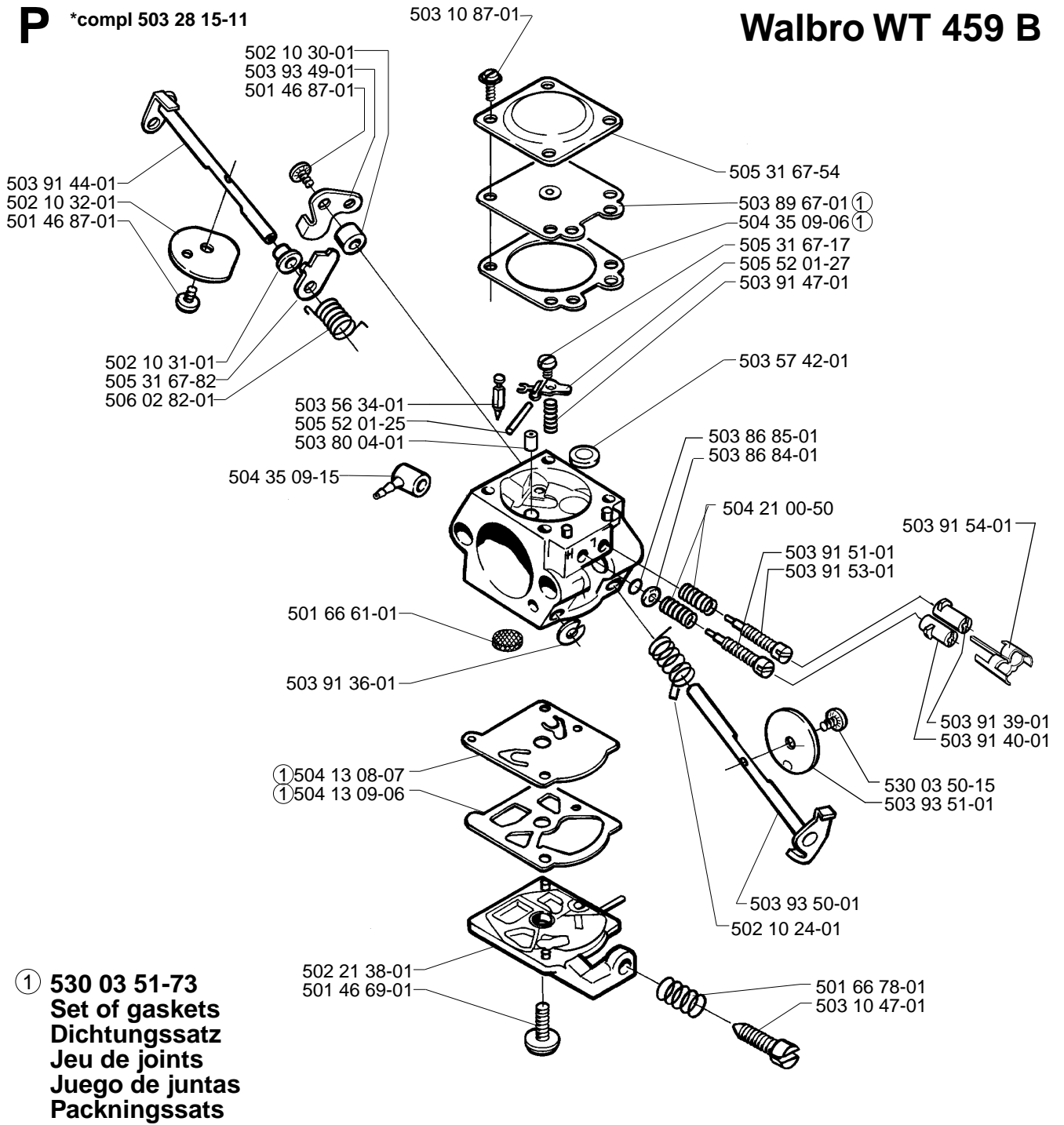
*compl 503 79 21-71



L**M****N**

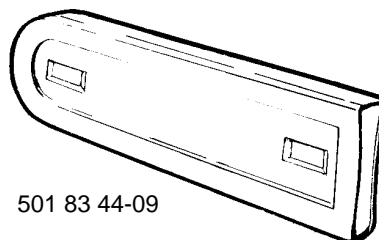
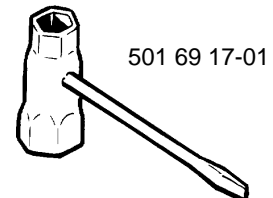
P *compl 503 28 15-11

Walbro WT 459 B



Q

**Accessories
Zubehöre
Accessoires
Acessorios
Tillbehör**



MODEL NUMBER 335

PART NUMBER	SQUARE	NOTE	PART NUMBER	SQUARE	NOTE	PART NUMBER	SQUARE	NOTE	PART NUMBER	SQUARE	NOTE
501 45 27-02	H		503 79 26-01	B	N	504 13 08-07	P				
501 45 41-01	H		503 80 04-01	P		504 13 09-06	P				
501 45 53-01	H	N	503 80 52-01	A	N	504 21 00-50	P				
501 46 69-01	P		503 80 81-01	E	N	504 34 00-04	HE	N			
501 46 87-01	P		503 80 83-01	H	N	504 35 09-06	P				
501 48 54-02	L		503 80 97-01	A	N	504 35 09-15	P				
501 62 33-01	H		503 81 14-01	J	N	504 71 00-03	K	N			
501 62 98-01	K		503 81 32-01	K	N	505 30 51-25	N				
501 66 61-01	P		503 81 33-01	K	N	505 31 67-17	P				
501 66 78-01	P		503 81 34-01	K	N	505 31 67-54	P				
501 68 68-01	H		503 81 35-01	K	N	505 31 67-82	P				
501 69 17-01	Q		503 81 69-01	M	N	505 52 01-25	P				
501 76 31-01	N		503 81 71-01	A	N	505 52 01-27	P				
501 76 83-02	K		503 81 73-01	A	N	506 01 64-01	N				
501 81 92-01	H		503 81 81-01	L	N	506 02 82-01	P				
501 81 96-02	K		503 81 85-01	N	N	530 03 50-15	P				
501 83 44-09	Q		503 81 86-01	A	N	530 03 71-60	N				
501 87 53-01	A		503 81 91-01	J	N	720 12 33-00	A				
502 10 24-01	P	N	503 82 09-01	B	N	720 12 40-20	K	N			
502 10 30-01	P		503 82 11-01	E	N	720 12 46-20	K	N			
502 10 31-01	P		503 82 17-01	G	N	724 12 87-55	G	N			
502 10 32-01	P		503 82 22-71	C	N	725 53 29-55	H				
502 20 40-01	B		503 82 25-01	N	N	729 56 55-01	K	N			
502 20 65-03	B		503 82 26-01	K	N	735 31 08-20	A				
503 10 47-01	P		503 82 27-01	K	N	735 31 10-20	A	N			
503 10 87-01	P		503 82 28-01	K	N	737 44 10-00	E				
503 14 51-01	C		503 82 29-01	D	N						
503 17 17-02	K	N	503 82 33-01	K	N						
503 18 49-01	H	N	503 82 38-01	K	N						
503 20 02-16	GJK		503 84 26-01	K	N						
503 20 02-25	H		503 84 49-01	D	N						
503 20 02-40	H	N	503 84 53-71	F	N						
503 20 25-12	E		503 85 13-01	K	N						
503 20 25-16	L		503 85 38-02	K	N						
503 21 28-10	AK		503 85 46-01	A	N						
503 21 73-25	JN	N	503 85 50-01	L	N						
503 21 75-50	D	N	503 85 51-01	A	N						
503 21 77-16	N	N	503 86 20-01	A	N						
503 21 78-30	M	N	503 86 38-01	H	N						
503 22 00-01	A		503 86 44-01	L	N						
503 22 10-11	L		503 86 84-01	P	N						
503 23 00-16	H		503 86 85-01	P	N						
503 23 51-08	E		503 89 67-01	P							
503 25 46-01	A	N	503 89 85-01	K	N						
503 26 30-17	K		503 89 86-01	K	N						
503 28 15-11	D	N	503 89 91-01	H	N						
503 28 90-34	E	N	503 90 09-01	L	N						
503 41 41-01	EF		503 90 68-01	L	N						
503 44 32-01	K		503 90 83-01	A	N						
503 52 12-04	A		503 90 87-01	N	N						
503 56 34-01	P		503 90 88-01	A	N						
503 57 42-01	P		503 90 98-01	L	N						
503 57 76-01	K		503 91 36-01	P	N						
503 60 04-01	K		503 91 38-01	P	N						
503 71 02-02	L		503 91 39-01	P	N						
503 71 40-03	C	N	503 91 40-01	P	N						
503 72 31-01	H		503 91 44-01	P	N						
503 73 58-01	K		503 91 47-01	P	N						
503 77 90-02	L	N	503 91 51-01	P	N						
503 78 83-01	H	N	503 91 53-01	P	N						
503 78 84-01	H	N	503 91 54-01	P	N						
503 78 85-01	E	N	503 92 96-01	K	N						
503 78 92-01	H	N	503 93 03-01	G	N						
503 78 99-01	E	N	503 93 45-01	F	N						
503 79 05-02	L		503 93 49-01	P	N						
503 79 06-02	L	N	503 93 50-01	P	N						
503 79 21-71	K	N	503 93 51-01	P	N						
503 79 22-01	H	N	503 93 52-01	A	N						
503 79 23-02	E	N	503 93 52-02	A	N						
503 79 24-01	E	N	503 93 53-01	A	N						
503 79 25-01	N	N	503 93 53-02	A	N						